

MOTOPLASTIC, S.A.

Molí de la sal, 1 - 08403 Granollers (Barcelona) SPAIN

Tel. 34 93 849 06 33 - Fax 34 93 849 09 88

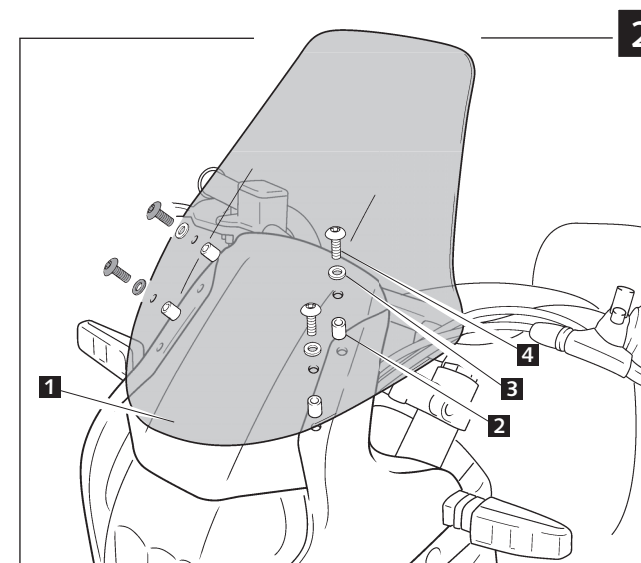
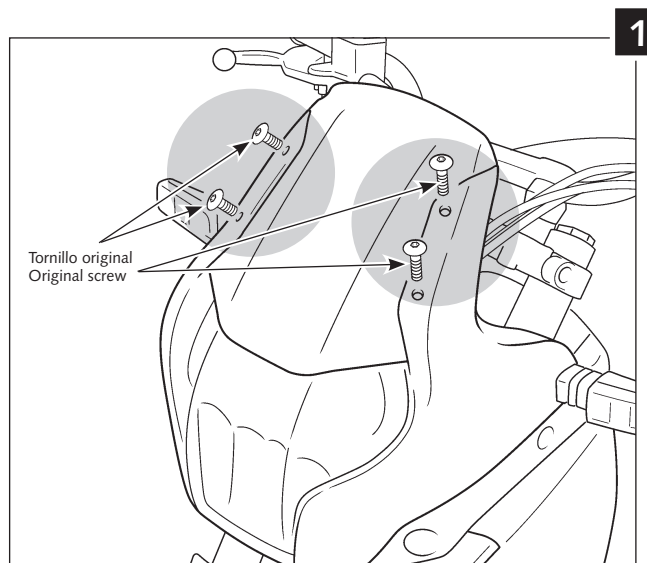
info@puig.tv

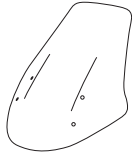



www.puig.tv

INSTRUCCIONES DE MONTAJE - MOUNTING INSTRUCTIONS

CÚPULA ADAPTABLE A - SCREEN ADAPTABLE TO APRILIA PEGASO 650 STRADA/TRAIL

Ref.: 2165
4109



ID.		DESCRIPCIÓN	DESCRIPTION	QTY.
1		Cúpula	Screen	1
2		Casquillo Ø14xØ6x9	Arrowhead Ø14xØ6x9	4
3		Arandela nylon Ø5	Nylon washer Ø5	4
4		Tornillo allen M5x25	Allen screw M5X25	4