

# YAMAHA XSR700

REF 8933

SEMI-FAIRING RETRO (BLACK)

REF 9187

SEMI-FAIRING RETRO (CARBON LOOK)



1 Person



15 min



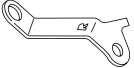
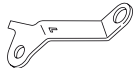
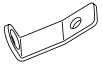





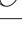
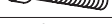

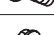




EASY



ALLEN

Nº 2,5  
Nº 3  
Nº 6

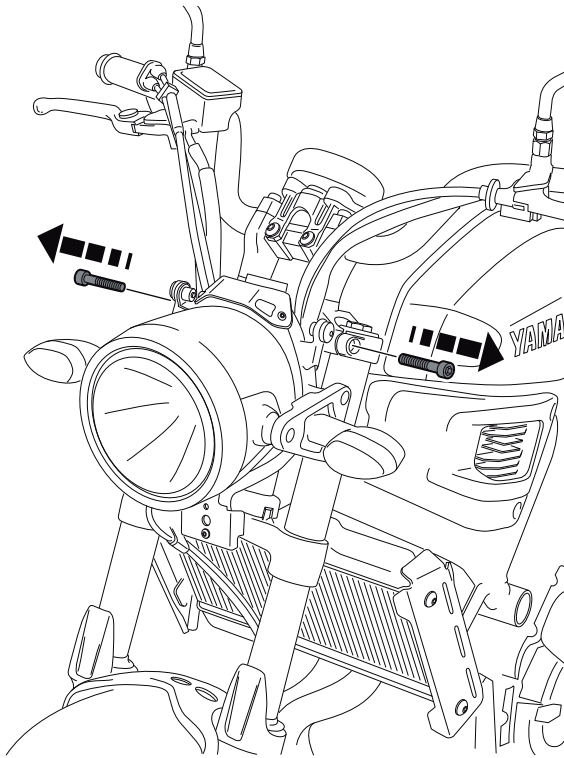
ID	PIEZA/PART	DESCRIPCIÓN	DESCRIPTION	QTY	REF
1		Cúpula	Screen	1	9194 F/H/N/WM3
2		Carcasa ABS	ABS fairing	1	10522N/C
3		Soporte metálico derecho ( R )	right metal support ( R )	1	SOPOR-3P-1-8933
4		Soporte metálico izquierdo ( L )	left metal support ( L )	1	SOPOR-3P-1-8933
5		Soporte inferior	Lower support	1	SOPOR-3P-1-8933
6		Tornillo Allen M4x16 ISO 7380	M4x16 ISO7380 Allen screw	5	TORNIAI7380-310
7		Silentblock M4	M4 silentblock	5	SILENBTM4---062
8		Arandela nylon M4x0,5	M4x0,5 nylon washer	5	ARNV00000000311
9		Tornillo Allen M5x16 Ø11 ISO 7380	M5x16 Ø11 ISO 7380 Allen screw	3	TORNIAI7380-281
10		Silentblock M5	M5 silentblock	3	SILENBTM5-046/1
11		Arandela de nylon M5x0.5	M5x0.5 Nylon washer	3	ARNV00000000309
12		Tornillo M8x35 DIN912	M8x35 DIN912 Screw	3	TORNI-AD912-196
13		Casquillo Ø 8,5x Ø 14x 9mm	Ø 8,5x Ø 14x 9mm Arrowhead	3	CASQUI----0100
14		Tornillo Allen M6x10 ISO7380	M6x10 ISO 7380 Allen screw	3	TORNI-I7380-402
15		Tuerca Autoblocante M6	M6 Lock nut	3	TUZBM6000000024
16		Kit adhesivos	Sticker set	1	10523

# YAMAHA XSR700

INSTRUCCIONES DE MONTAJE - MOUNTING INSTRUCTIONS - MONTAGEANLEITUNG

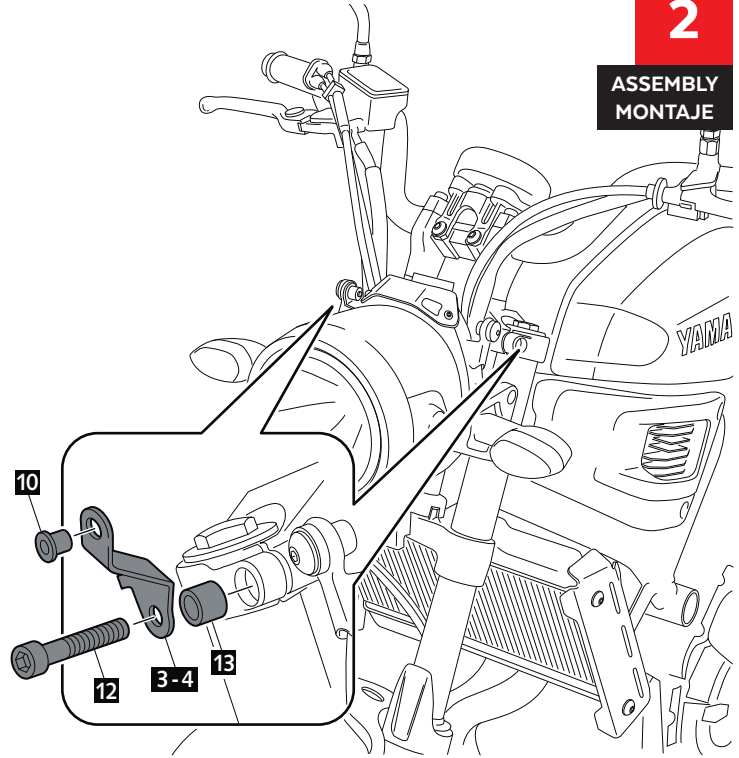
**1**

DISASSEMBLY  
DESMONTAJE



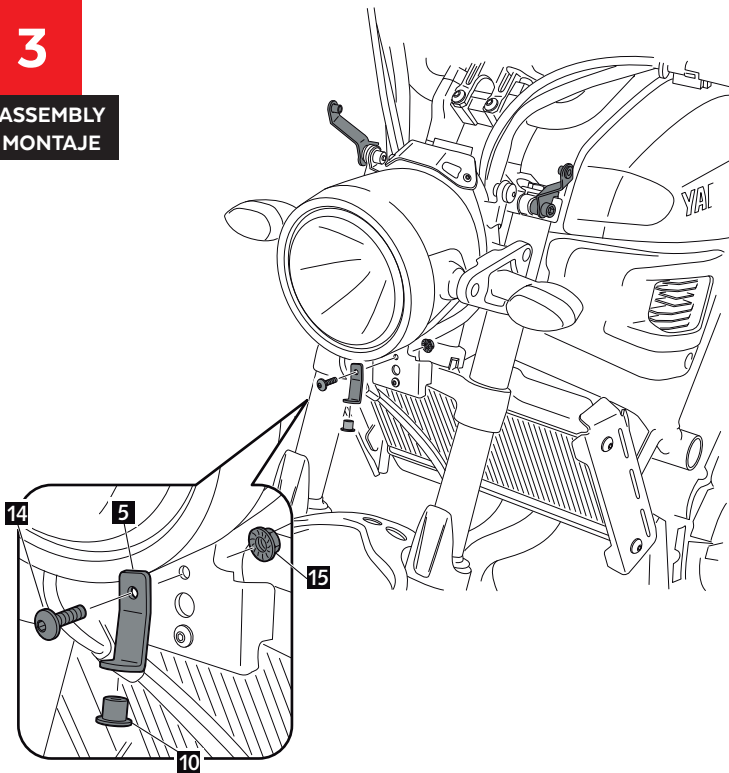
**2**

ASSEMBLY  
MONTAJE



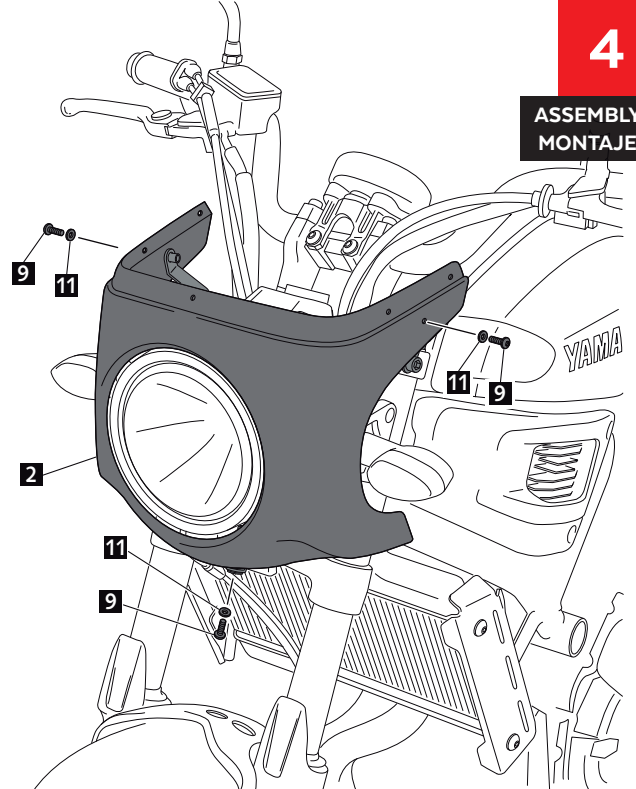
**3**

ASSEMBLY  
MONTAJE



**4**

ASSEMBLY  
MONTAJE

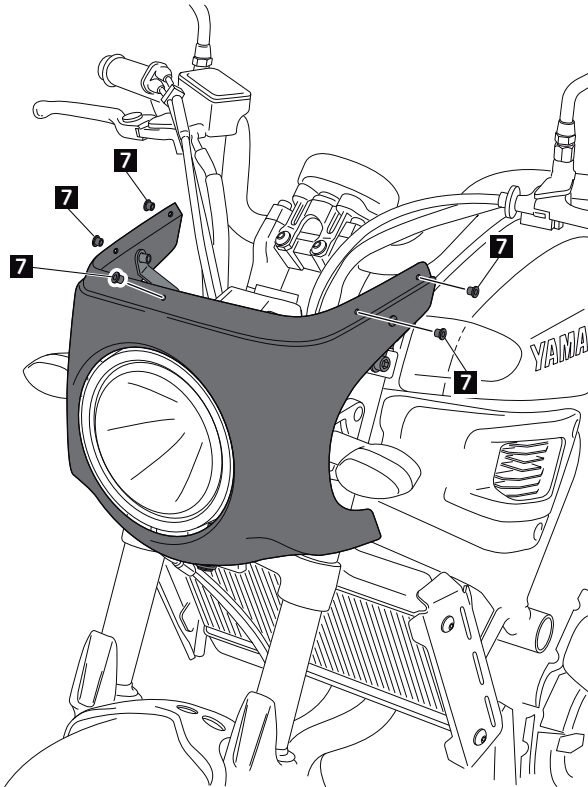


# YAMAHA XSR700

INSTRUCCIONES DE MONTAJE - MOUNTING INSTRUCTIONS - MONTAGEANLEITUNG

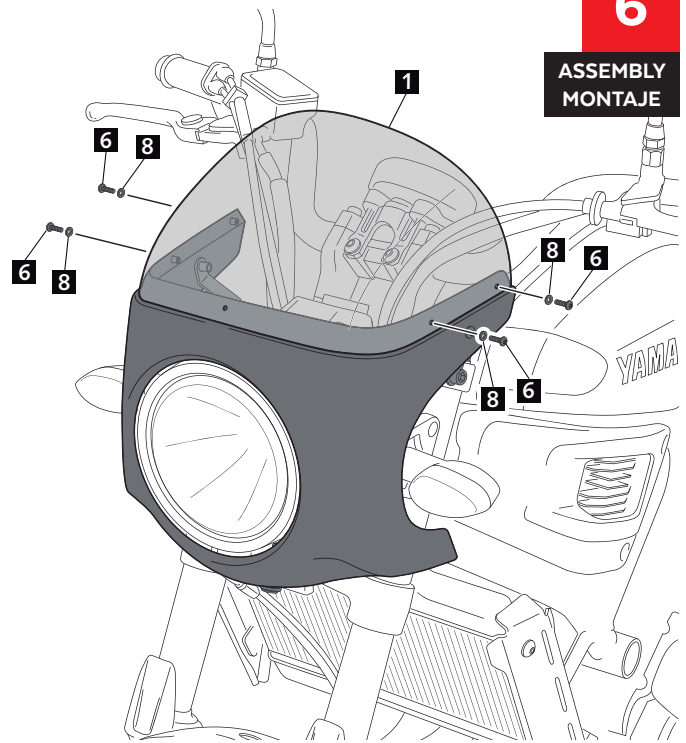
**5**

ASSEMBLY  
MONTAJE



**6**

ASSEMBLY  
MONTAJE



**7**

ASSEMBLY  
MONTAJE

**16** KIT ADHESIVOS  
STICKERS SET

